

# GC-ICPO



## PTZ cameras with best-in-class low illumination detection

- Sony Starvis™ sensor
- Pan, tilt, and zoom (PTZ) functions
- High frame rate, high resolution
- Wide range optical zoom
- Ultra-high image quality in low illumination
- Infrared illuminator for nighttime
- NEMA TS2 tested and designed for ITS
- Supports ATMS integrations
- ONVIF compliant



CAMERA	
Sensor	1/1.8" Sony Starvis™ CMOS with progressive scan
Min. illumination	GC-ICPO-S440-X 0.001 lux color
	GC-ICPO-S437-L 0.001 lux color
	GC-ICPO-S840-X 0.005 lux color
	And 0 lux black & white with infrared illuminator on
Electronic shutter	Auto or manual, 1/5 to 1/20,000 sec.
Day or night	Auto, manual, or timer and with auto infrared cutfilter removal (ICR)
Automatic gain control	Yes
Pan	0 to 360° at 0.1 to 300°/sec.
Tilt	-10 to 90° with auto-flip at 0.1 to 300°/sec.
PTZ function	400 presets and 12 tours
Optical zoom	GC-ICPO-S440-X 40x (6.8 to 272 mm)
	GC-ICPO-S437-L 37x (6.8 to 251 mm)
	GC-ICPO-S840-X 40x (6.8 to 272 mm)
Digital zoom	16x
Max. aperture	GC-ICPO-S440-X f1.63 to f4.94
	GC-ICPO-S437-L f1.5 to f4.8
	GC-ICPO-S840-X f1.63 to f4.94
Iris control	Auto or manual
Focus control	Auto, semi-auto, or manual
Illuminator	Auto or manual, 850 nm infrared (IR) illuminator up to:
	GC-ICPO-S440-X 1312 ft. (400 m) IR
	GC-ICPO-S437-L 1969 ft. (600 m) IR + laser
	GC-ICPO-S840-X 1640 ft. (500 m) IR

IMAGE	
Image adjustment	Brightness, sharpness, contrast, saturation adjustable
Scene mode	Indoor, outdoor, mirror
Exposure mode	Auto, manual, shutter priority, iris priority
White balance	Auto, tungsten, fluorescent, daylight, shadow, manual
Noise reduction	2D and 3D digital noise reduction; minimum signal to noise ratio is 50 dB
Image enhancement	Highlight compression (HLC), backlight compensation (BLC), defog, true wide dynamic range (WDR), anti-shake
Privacy Masking	40 zones

VIDEO	
Streaming capability	3 streams
Resolution	Stream 1 GC-ICPO-S440-X: 2688 × 1520 (4 MP), 2560 × 1440, 2304 × 1296, 1920 × 1080, 1280 × 720
	Stream 1 GC-ICPO-S437-L: 2592 × 1520 (4 MP), 2304 × 1296, 1920 × 1080, 1280 × 720
	Stream 1 GC-ICPO-S840-X: 3840 × 2160 (8 MP), 2592 × 1520, 2304 × 1296, 1920 × 1080, 1280 × 720
Frame rate	Stream 2: D1, VGA, CIF up to 60 fps
	Stream 3: VGA, CIF, QVGA up to 60 fps
	GC-ICPO-S440-X up to 60 fps GC-ICPO-S437-L up to 30 fps GC-ICPO-S840-X up to 30 fps
Bit rate control	Fixed or variable
Bit rate	Stream 1: 200 kbps to 16 Mbps
	Stream 2: 100 kbps to 6 Mbps
	Stream 3: 100 kbps to 3 Mbps
Video compression	H.264, H.265, MJPEG codecs



# GC-ICPO

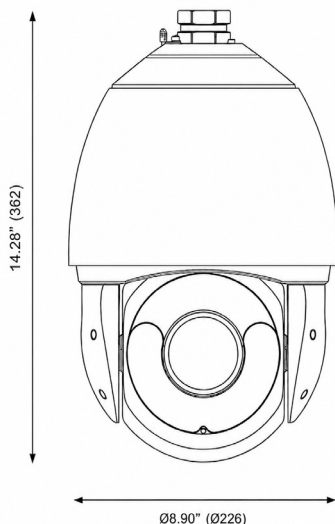
PTZ cameras with best-in-class low illumination detection



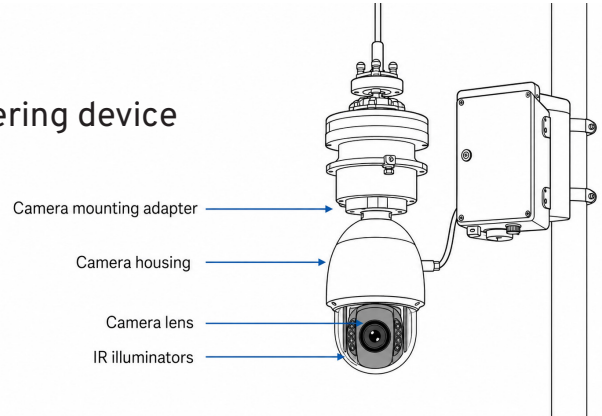
NETWORK	
Network interface	1 Ethernet (10/100 Base-T) RJ45 connector
Cables	Compliant with EIA/TIA-568-B
Alarm interface	7 channel input, 2 channel output
Local storage	SD card slot, up to 1 TB
Protocols	IPv4/IPv6, HTTP/HTTPS, DNS, DDNS, DHCP, PPPoE, RTSP/ RTCP/RTP, TCP/UDP, NTP, ARP, UPnP, FTP, SMTP, QoS, ICMP, IGMP, 802.1x, SNMP, Multicast, Unicast
Interoperability	ONVIF (Profile S/T/G/M), SDK, CGI
Max concurrent streams	10 channels
User and levels	32+ users, 3 levels: administrator, operator, user
Security	IP address filter, HTTPS, illegal login lock, IEEE 802.1x
Browsers	Chrome, Firefox, Microsoft Edge

GENERAL	
Power	36 VDC, PoE (IEEE 802.3bt), <48 W, or 24 VAC
Operating temperature	-40°F to 140°F (-40°C to 60°C), less than 95% RH
Ingress protection	IP66
Impact protection	IK10
Certifications	FCC and CE
Housing	Aluminum, stainless steel hardware, and corrosion-resistant materials
Dimensions	8.90 × 14.28 in. (226 × 363 mm)
Weight	12.1 lbs (5.50 kg)

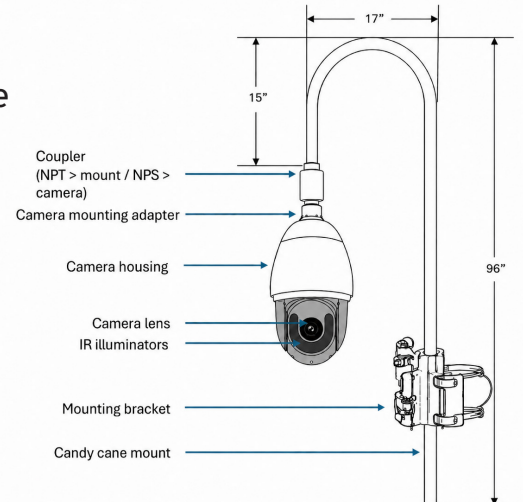
AVAILABLE CONFIGURATIONS	
GC-ICPO-S440-X	GC-ICPO PTZ camera, 4 MP, 40x optical zoom
GC-ICPO-S437-L	GC-ICPO PTZ camera, 4 MP, 37x optical zoom, laser illuminator
GC-ICPO-S840-X	GC-ICPO PTZ camera, 8 MP, 40x optical zoom



## Lowering device



## Candy cane



## Mounting arm

