



KEY FEATURES



- NEMA TS2 Laboratory Tested
- 33X Optical Zoom
- 2MP Sony Sensor
- 1920 x 1080 Resolution @ 30 frames per second
- Ultra 265, H.265, H.264 & MJPEG Compression Technologies
- Tilt Range -15° ~ 90° Auto Flip
- AC 24V±25%, DC 24V±25%, Hi PoE
- Smart Infrared Illuminators up to 500 Feet
- Micro SD, up to 256GB
- Ultra-high image quality in low illumination environments
- Supports Logo Upload to OSD
- Supports Video Analytics

2MP 33X Network PTZ Dome Camera w/Analytics

• MODEL - GC-ICPO-U33A

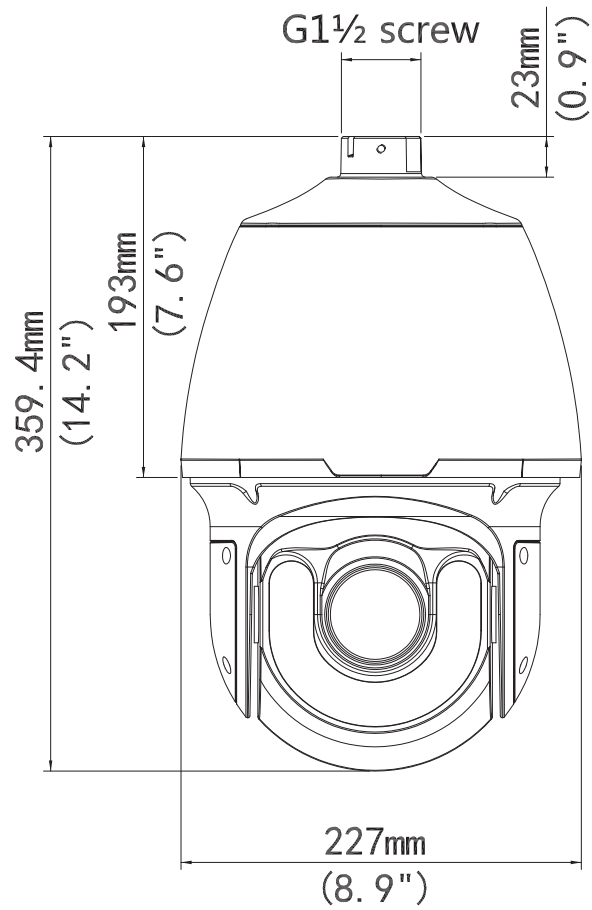
Technical Specifications

• SPECIFICATIONS

Model Number : GC-ICPO-U33A	
Camera	
Sensor	1/2.8", 2.0 megapixel, progressive scan, CMOS
Min. Illumination	Color: 0.001 Lux (F1.5, AGC ON) 0 Lux with IR
Day/Night	IR-cut filter with auto switch (ICR)
Shutter	Auto, 1 ~ 1/100000s
Wide Dynamic Range	120dB
Signal to Noise Ratio	>52dB
Lens	
Lens type	4.5mm ~ 148.5mm, automatic focusing motorized zoom lens
Optical Zoom	33X
Iris	Auto or Manual F1.5 ~ F4.0
Angle of View (H)	56.23° ~ 2.57°
Angle of View (V)	33.46° ~ 1.44°
Angle of View (O)	69.16° ~ 3.03°
Illuminators	
IR Range	Up to 500 Feet
Wavelength	850nm
IR On/Off Control	Auto or Manual
Video	
Video Compression	Ultra 265, H.265, H.264 & MJPEG Compression Technologies
Frame Rate	Main Stream: 2MP(1920*1080), Max 30 frames per second Sub Stream: 720P (1280*720), Max 30 frames per second Third Stream: D1 (720*576), Max 30 frames per second
Video Bit Rate	128 Kbps~16 Mbps
Regions of Interest	Up to 8 areas
Video streams	Three
On-Screen Display	Up to 8 On-Screen Displays
Privacy Mask	24 areas, up to 4 areas per scene
Image	
White Balance	Auto/Outdoor/Fine Tune/Sodium Lamp/Locked/Auto2
Digital Noise Reduction	2D/3D Digital Noise Reduction
Smart IR	Supported
Flip	Normal/Flip Vertical/Flip Horizontal/180°/90°Clockwise/90°Anti-clockwise
High Light Compensation	Supported
Back Light Compensation	Supported
Defog	Automatic & Manual Settings

Events	
Basic Detection	Motion detection, Audio detection, Tampering Alarm
General Function	Watermark, IP Address Filtering, Alarm input, Alarm output, Access Policy, ARP Protection, RTSP Authentication, User Authentication
Storage	
Edge Storage	Micro SD, up to 256 GB
Network Storage	ANR,NAS(NFS)
Network	
Protocols	IPv4, IGMP, ICMP, ARP, TCP, UDP, DHCP, PPPoE, RTP, RTSP, RTCP, DNS, DDNS, NTP, FTP, UPnP, HTTP, HTTPS, SMTP, 802.1x, SNMP, QoS, RTMP,SSL/TLS
Compatible Integration	ONVIF (Profile S, Profile G, Profile T), API,SDK
User/Host	Up to 32 users w/2 user levels: administrator and user
Security	Password protection, HTTPS encryption, Export operation logs, basic and digest authentication for RTSP, digest authentication for HTTP, TLS 1.2, WSSE and digest authentication for ONVIF
Web Browser	Plug-in free live view: Chrome 57.0+, Firefox 58.0+, Edge 16+, Safari 11+
	Plug-in required live view: IE9+, Chrome 41 and below, Firefox 52 and below
Pan & Tilt	
Pan Range	360° (endless)
Pan Speed	Programmable
	Preset speed: 240°/s
Tilt Range	-15° ~ 90° (auto flip)
Tilt Speed	Programmable
Number of Presets	1024
Preset Patrol	16 patrols, up to 64 presets for each patrol
Route Patrol	16 patrols, up to 32 actions for each patrol
Recorded Patrol	16 patrols, up to 128 actions for each patrol
Home Position	Supported
Interface	
Audio I/O	1/1
Alarm I/O	2/1
Serial Port	1 RS485
Network	1 * RJ45 10M/100M Base-TX Ethernet
Certification	
FCC	FCC CFR 47 Part 15
Safety	UL 62368-1
Environment	CE-ROHS (2011/65/EU;(EU)2015/863)
General	
Power	AC 24V±25%, DC 24V±25%, Hi PoE
	Power consumption: Max 41W
Dimensions (Ø x H)	Ø8.9" x 15.1"
Weight	11.88 lbs.
Working Environment	-40°F ~ 175°F , Humidity: ≤95% RH (non-condensing)
Storage Environment	-40°F ~ 175°F , Humidity: ≤95% RH (non-condensing)
Surge protection	6,000 Volt Transient Suppression
Reset button	Supported
Ingress Protection	IP66

• DIMENSIONS



• OPTIONAL ACCESSORIES



Corner Mount	Pole Mount
