

# 2 Megapixel Hawk Series ITS Camera

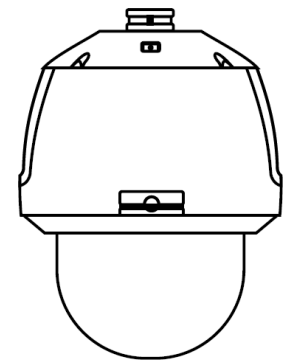
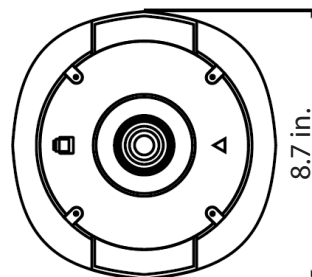
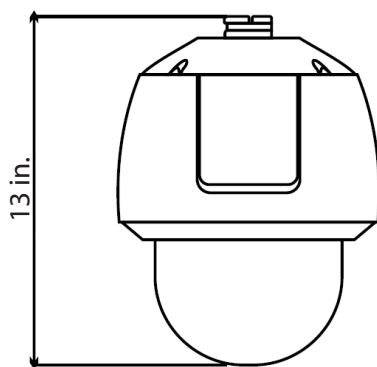
## Model GC-IMPO-532

### Key Attributes

- ◆ NEMA TS2 Tested and Certified
- ◆ ONVIF and NTCIP (Traffic) Protocol
- ◆ 32x Focal Length 4.8mm ~ 153mm (Angle of View 58.4° ~ 2.14°)
- ◆ Electronic Image Stabilization
- ◆ Extended Surge (4,000 TVS), Thunder and Static Protection
- ◆ Tilt Range -5° ~ 90° (Auto Flip)
- ◆ Intrusion & Line Crossing Detection, Object counting
- ◆ 1.5" Lowering Device Adapter Included
- ◆ Ingress Protection Rating IP66
- ◆ Back-Light and High-Light Compensation
- ◆ Infrared Cut Filter
- ◆ 24 VAC Power Adapter Included or High PoE Injector
- ◆ H.264 | H.265 | MJPEG | JPEG
- ◆ 7 Input Alarms / 2 Output Alarms Extended Surge
- ◆ Supports Logo Integration for OSD



### Dimensions



Version 2.0.1

Unit: inches  
**govcomm**  
Intelligent Transportation Systems

## Camera

- ◆ **Image Sensor:** 1/2.8" Progressive Scan CMOS
- ◆ **Effective Pixel:** 1920(H) x 1080(V)
- ◆ **Minimum Illumination:** F1.6, AGC On: Color: 0.05 Lux, B/W: 0.01 Lux
- ◆ **White Balance:** Auto / Manual / ATW / Indoor / Outdoor / Daylight Lamp / Sodium Lamp
- ◆ **AGC:** Auto / Manual
- ◆ **Signal to Noise Ratio:** ≥ 55dB
- ◆ **Digital Noise Reduction:** 3D DNR
- ◆ **Light Compensation:** High Light Compensation / Back Light Compensation
- ◆ **Wide Dynamic Range:** 120dB
- ◆ **Shutter Speed:** 1 ~ 1/30,000s
- ◆ **Day and Night:** IR Cut Filter
- ◆ **Digital Zoom:** 16X
- ◆ **Privacy Masking:** 24 privacy masks programmable, optional multiple colors and mosaics
- ◆ **Focus Mode:** Auto / Semiautomatic / Manual
- ◆ **Enhancements:** Smart Optical Defog
- ◆ **Electronic Image Stabilization:** Supports
- ◆ **Logo Upload to OSD (On-Screen Display):** Supports

## Lens

- ◆ **Focal Length:** 4.5mm ~ 144mm, 32X Optical Zoom
- ◆ **Zoom Speed:** Approximately 4.1 seconds to negotiate the entire range
- ◆ **Angle of View:**
  - ◆ Horizontal FOV: 61.4° ~ 2.1°
  - ◆ Vertical FOV: 40.7° ~ 1.3°
  - ◆ Diagonal FOV: 70.0° ~ 2.5°
- ◆ **Minimum Working Distance:** 10mm ~ 1500mm (Wide-Tele)
- ◆ **Aperture Range:** F1.6 ~ F4.4

## Pan and Tilt

- ◆ **Smart Tracking:** Supports
- ◆ **Pan/Tilt Range:**
  - ◆ Pan: 360° Endless
  - ◆ Tilt: -5° ~ 90° (Auto Flip)
- ◆ **Pan/Tilt Speed:**
  - ◆ Pan Manual Speed: 0.1° ~ 300°/s
  - ◆ Tilt Manual Speed: 0.1° ~ 240°/s
  - ◆ Pan Preset Speed: 540°/s
  - ◆ Tilt Preset Speed: 400°/s
- ◆ **Proportional Zoom:** Rotation speed can be adjusted automatically according to zoom multiples

## Pan and Tilt (Cont'd)

- ◆ **Proportional Speed:** Rotation speed can be adjusted automatically according to zoom multiples
- ◆ **Number of Presets/Position Accuracy:** 300 / Preset position return accuracy +/- 0.1°
- ◆ **Patrol:** 8 Patrols, up to 32 presets per patrol
- ◆ **Pattern:** 4 Patterns, with the recording time not less than 10 minutes per pattern
- ◆ **Power-Off Memory:** Supports
- ◆ **Park Action:** Preset / Patrol / Pattern / Pan Scan / Tilt Scan / Random Scan / Frame Scan / Panorama Scan
- ◆ **PTZ Position Display:** On / Off
- ◆ **Preset Freezing:** Supports
- ◆ **Scheduled Task:** Preset / Patrol / Pattern / Auto Scan / Tilt Scan / Random Scan / Frame Scan / Panoramic Scan / Dome Reboot / Dome Adjust / Aux Output

## Alarm

- ◆ **Alarm Input / Output:** 7 Input / 2 Output, alarm response configurable
- ◆ **Alarm Trigger:** Face, Intrusion, Line Crossing, Region, Audio, Motion, Tampering, Network, Disconnect, IP Address Conflict, Storage
- ◆ **Alarm Action:** Preset, Patrol, Pattern, SD/SDHC Card Recording, Relay Output, Notification on Client

## Input/Output

- ◆ **Video Output:** 1.0V [p-p] / 75Ω, PAL / NTSC Composite, BNC, Ethernet
- ◆ **Audio Input / Output:** Audio input (LINE input), 2 ~ 2.4V [p-p]; Output Impedance: 1KΩ, ±10% / Line Level, Impedance 600Ω
- ◆ **Smart Detection:** Intrusion, Line Crossing, Object Left / Removal, Area Entering / Leaving, Scene Change, Audio Surge, Audio Loss, Defocus, Face and Object Counting

## Network

- ◆ **Ethernet:** 10Base-T / 100Base-TX, RJ45 connector
- ◆ **Maximum Image Resolution:** 1920 x 1080
- ◆ **Frame Rate (Main Stream):** 60 fps (1920 × 1080; 1280 × 960; 1280 × 720)
- ◆ **Frame Rate (Sub Stream):** 30 fps (704 × 480; 352 × 240; 176 × 120)

## Network (Cont'd)

- ◆ **Video Compression:** H.264 / H.265 / MJPEG / JPEG
- ◆ **Region of Interest (ROI) Encoding:** Supports 24 areas with Adjustable Levels
- ◆ **Audio Compression:** G.711ulaw / G.711alaw / G.726 / MP2L2
- ◆ **Protocols:** IPv4/IPv6, HTTP, HTTPS, 802.1x, Qos, FTP, SMTP, UPnP, SNMP, DNS, DDNS, NTP, RTSP, RTP, TCP, UDP, IGMP, ICMP, DHCP, PPPoE, NTCIP
- ◆ **Simultaneous Live View:** Up to 20
- ◆ **Streams:** 3 Configurable / 6 Total
- ◆ **Mini SD Memory Card:** Built-in memory card slot, support Micro SD / SDHC / SDXC, up to 256GB
- ◆ **User/Host Level:** Up to 32 Users, 3 Levels: Administrator, Operator & User
- ◆ **Security Measures:** User Authentication (ID and PW), Host authentication (MAC address), IP address filtering

## Integration

- ◆ **Application Programming:** Open-ended API, Support Onvif, PSIA and CGI
- ◆ **Web Browser:** IE7+, Chrome8+ (w/ IE Tab), Firefox 5.0+, Safari 5.02+, Supports Multi-Language
- ◆ **Camera Control:** Pan/Tilt, Zoom, Focus, Click Centering, Zoom by mouse dragging, Iris, Preset calling and programming, auto
- ◆ **Date & Time Display:** Time | Week | Date | 6 format choices



## General

- ◆ **RS-485 Protocols:** Pelco-P, Pelco-D, Self-Adaptive
- ◆ **Power:** 24VAC: Max. 60W High PoE (E)
- ◆ **Working Temperature / Humidity:** -40°F ~ 167°F / 95% or less
- ◆ **Certification:** FCC, CE, UL, RoHS, IEC/EC 61000, IEC/EN 55024, IEC/EN 60950-1
- ◆ **Protection Level:** IP66, IK10-TV 4,000V Lighting Protection, Surge Protection and Voltage Transient Protection
- ◆ **Dimensions:** Ø 8.7" x 13"
- ◆ **Weight (approx.):** 13.2lbs
- ◆ **Mounting Options:** 1.5" NPT device lowering adapter included with camera system
  - ◆ Power Box Pole Mount (Optional)