

Heron Series 4K 36X ITS Camera

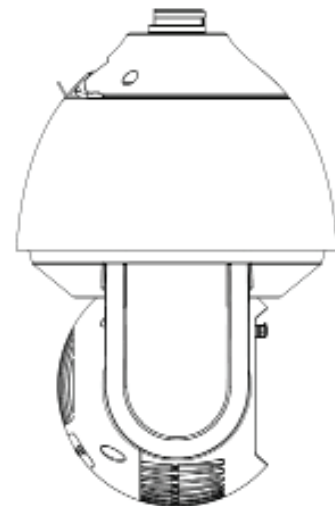
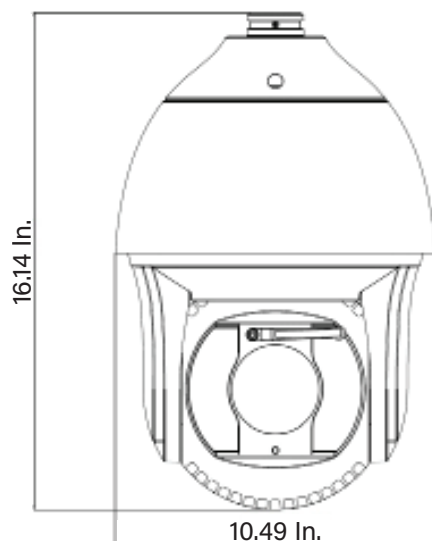
Model GC-ICPO-8850L

Key Attributes

- ◆ NEMA TS2 Tested and Certified
- ◆ ONVIF and NTCIP (Traffic) Protocol
- ◆ Maximum Resolution: 4096 x 2160
- ◆ 36x Focal Length 7.5mm~270mm (Angle of View 56.1° ~ 2.0°)
- ◆ Color Lux 0.005 B/W Lux 0.0005, 0 Lux with Laser
- ◆ Electronic Image Stabilization
- ◆ Extended Surge (6,000 TVS), Thunder and Static Protection
- ◆ Tilt Range -25° ~ 90° (Auto Flip)
- ◆ Intrusion & Line Crossing Detection, Object counting
- ◆ 1.5" Lowering Device Adaptor Included
- ◆ Ingress Protection Rating IP67
- ◆ Back-Light and High-Light Compensation
- ◆ 500 Meter Smart Infrared Light Field
- ◆ 24 VAC Power Adapter Included or High PoE Injector
- ◆ H.264 | H.265 | MJPEG
- ◆ 7 Input Alarms / 2 Output Alarms Extended Surge
- ◆ Supports Logo Upload to OSD



Dimensions



Version 2.7

 Intelligent Information Systems

Product picture and technical specifications are subject to change without notice.
Sales@GovComm.us | 305-937-2000 | 3830 SW 30 Avenue, Ft. Lauderdale, 33312

© GovComm, Inc. 2018



TECHNICAL SPECIFICATIONS

Camera

- ◆ **Image Sensor:** 2/3" Progressive Scan CMOS
- ◆ **Effective Pixel:** 2.1M Pixels
- ◆ **Minimum Illumination:** F1.5, AGC On: Color: 0.005 Lux, B/W: 0.0005 Lux 0 Lux with Laser
- ◆ **White Balance:** Auto / Manual / ATW / Indoor / Outdoor / Daylight Lamp / Sodium Lamp
- ◆ **AGC:** Auto / Manual
- ◆ **Signal to Noise Ratio:** ≥ 55dB
- ◆ **Digital Noise Reduction:** 3D DNR
- ◆ **Light Compensation:** High Light Compensation / Back Light Compensation
- ◆ **Wide Dynamic Range:** 140dB
- ◆ **Shutter Speed:** 1 ~ 1/30,000s
- ◆ **Day and Night:** Day / Night / Auto Sensing - IR Cut Filter
- ◆ **Digital Zoom:** 16X
- ◆ **Privacy Masking:** 24 privacy masks programmable
- ◆ **Focus Mode:** Auto / Semiautomatic / Manual
- ◆ **Enhancements:** Optical Defog, Multi-Casting, Unicasting
- ◆ **Electronic Image Stabilization:** Supports
- ◆ **Logo Upload to OSD (On-Screen Display):** Supports

Lens

- ◆ **Focal Length:** 7.5mm ~ 270mm, 36x Optical Zoom
- ◆ **Zoom Speed:** Approximately 7.8s
- ◆ **Angle of View:**
 - Horizontal: 1.1°~56.1° (wide-tele)
 - Vertical: 1.1°~33.4° (wide-tele)
 - Diagonal: 2.3°~62.9° (wide-tele)
- ◆ **Working Distance:** 10mm ~ 1500mm
- ◆ **Aperture Range:** F1.5 ~ F4.5
- ◆ **Laser Distance:** Up to 500M

Pan and Tilt

- ◆ **Smart Tracking:** Manual / Panoramic / Intrusion Trigger / Line Crossing Trigger / Region Entrance Trigger / Region Exiting Trigger
- ◆ **Pan/Tilt Range:**
 - ◆ Pan: 360° Endless
 - ◆ Tilt: -25° ~ 90° (Auto Flip)
- ◆ **Pan/Tilt Speed:**
 - ◆ Pan Manual Speed: 0.1° ~ 210°/s
 - ◆ Tilt Manual Speed: 0.1° ~ 150°/s
 - ◆ Pan Preset Speed: 280° /s
 - ◆ Tilt Preset Speed: 250° /s

Pan and Tilt (Cont'd)

- ◆ **Proportional Speed:** Rotation speed can be adjusted automatically according to zoom multiples
- ◆ **Number of Presets/Position Accuracy:** 300 / Preset position return accuracy +/- 0.1°
- ◆ **Patrol:** 16 Patrols, up to 32 presets per patrol
- ◆ **Pattern:** 10 Patterns, with the recording time not less than 10 minutes per pattern
- ◆ **Power-Off Memory:** Supports
- ◆ **Park Action:** Preset / Patrol / Pattern / Pan scan / Tilt Scan / Random scan / Frame scan / Panorama Scan
- ◆ **PTZ Position:** Display On / Off
- ◆ **Preset Freezing:** Supports
- ◆ **Scheduled Task:** Preset / Patrol / Pattern / Auto Scan / Tilt Scan / Random Scan / Frame Scan / Panoramic Scan / Dome Reboot / Dome Adjust / Aux Output

Alarm

- ◆ **Alarm Input / Output:** 7 Input / 2 Output
- ◆ **Alarm Trigger:** Face, Intrusion, Line Crossing, Region, Audio, Motion, Tampering, Network, Disconnect, IP Address Conflict, Storage
- ◆ **Alarm Action:** Preset, Patrol, Pattern, SD/SDHC Card Recording, Relay Output, Notification on Client

Input/Output

- ◆ **Video Output:** 1.0V [p-p] / 75Ω, PAL / NTSC Composite, BNC, Ethernet
- ◆ **Audio Input / Output:** Audio input (LINE input), 2 ~ 2.4V [p-p]; Output Impedance: 1KΩ, ±10% / Line Level, Impedance 600Ω
- ◆ **Smart Detection:** Intrusion, Line Crossing, Object Left / Removal, Area Entering / Leaving, Scene Change, Audio Surge, Audio Loss, Defocus, Face and Object Counting



Network

- ◆ **Ethernet:** 10Base-T / 100Base-TX, RJ45 connector
- ◆ **Maximum Image Resolution:** 4096 x 2160
- ◆ **Frame Rate (Main Stream):** 30 fps (4096x2160, 1920x1080; 1280x960; 1280x720)
- ◆ **Image Compression:** H.264/H.265/MJPEG, H.264 encoding with Baseline/Main/High Profile
- ◆ **Region of Interest (ROI) Encoding:** Support 24 areas with Adjustable Levels
- ◆ **Audio Compression:** G.711ulaw /G.711alaw /G.726/MP2L2/G.722
- ◆ **Protocols:** IPv4/IPv6, HTTP, HTTPS, 802.1x, Qos, FTP, SMTP, UPnP, SNMP, DNS, DDNS, NTP, RTSP, RTP, TCP, UDP, IGMP, ICMP, DHCP, PPPoE, NTCIP
- ◆ **Simultaneous Live View:** Up to 20
- ◆ **Streams:** 3 Configurable / 6 Total
- ◆ **Mini SD Memory Card:** Built-in SD/SDHC Slot, up to 128GB, Support Manual / Alarm / Edge Recording
- ◆ **User/Host Level:** Up to 32 Users, 3 Levels: Administrator, Operator & User
- ◆ **Security Measures:** User Authentication (ID and PW), Host authentication (MAC address), IP address filtering

Integration

- ◆ **Application Programming:** Open-ended API, Support ONVIF, PSIA and CGI
- ◆ **Web Browser:** IE7+, Chrome8+ (w/ IE Tab), Firefox 5.0+, Safari 5.02+, Supports Multi-Language
- ◆ **Camera Control:** Pan/Tilt, Zoom, Focus, Click Centering, Zoom by mouse dragging, Iris, Preset calling and programming, auto
- ◆ **Date & Time Display:** Time | Week | Date | 6 format choices



General

- ◆ **RS-485 Protocols:** Pelco-P, Pelco-D, Self-Adaptive
- ◆ **Power:** 24VAC: Max. 60W High PoE (E)
- ◆ **Working Temperature / Humidity:** -40°F ~ 167°F (-40°C ~ 75°C) / 95% or less
- ◆ **Certification:** FCC, CE, UL, RoHS, IEC/EC 61000, IEC/EN 55024, IEC/EN 60950-1
- ◆ **Protection Level:** IP67, IK10 - TVS 6,000V Lighting Protection, Surge Protection and Voltage Transient Protection, hermetically sealed camera.
- ◆ **Dimensions:** Ø266.6mm x 410.0mm (Ø10.5"x16.14")
- ◆ **Weight (approx.):** 18 lbs
- ◆ **Optional Wiper:** Long-Life Silicone Blade on a Metal Arm
- ◆ **Mounting Options:** 1.5" NPT device lowering adapter included with camera system
 - ◆ Power Box Mount (Optional)