



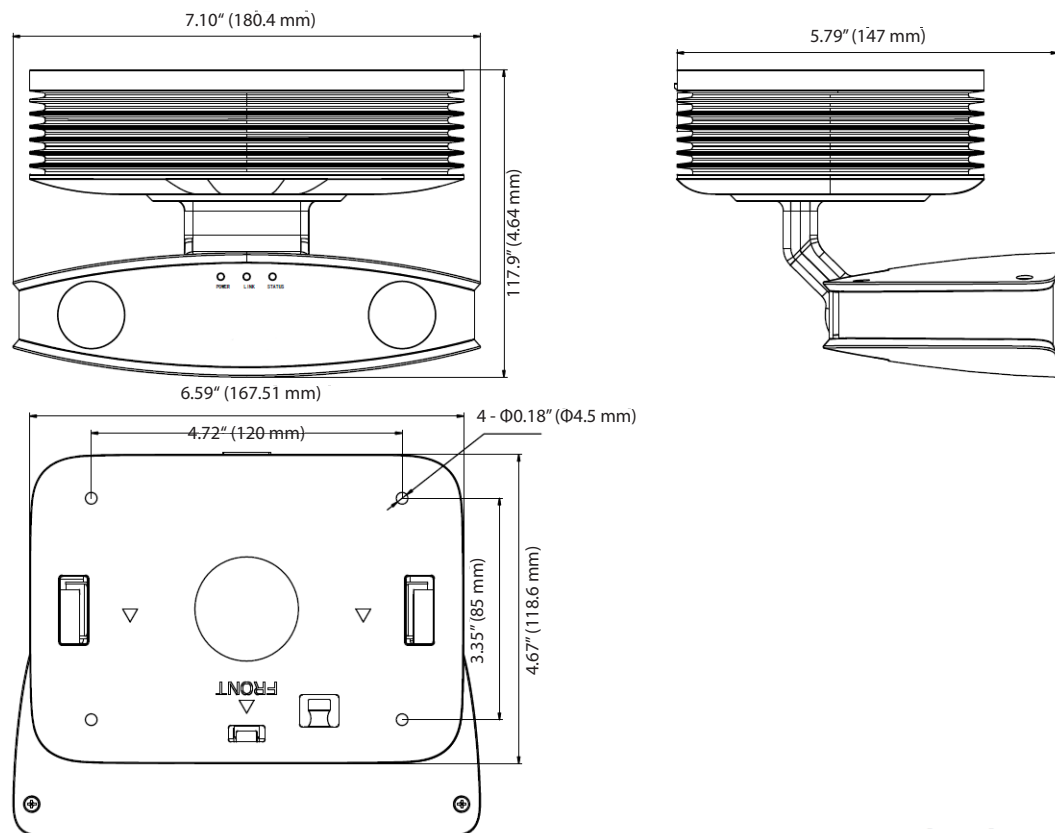
TECHNICAL SPECIFICATIONS

Dual-Lens Face Recognition Camera

GC-FRIS24 and GC-FRIS212



Dimensions



Version 2.0



Product picture and technical specifications are subject to change without notice.
Sales@GovComm.us | 305-937-2000 | 3830 SW 30 Avenue, Ft. Lauderdale, 33312

© GovComm, Inc. 2018



TECHNICAL SPECIFICATIONS

Camera

- ◆ **Image Sensor:** 1/2.8" Progressive Scan CMOS ×2
- ◆ **Min. Illumination:**
 - ◆ **Color:** 0.005 Lux @ (F1.6, AGC ON)
 - ◆ **Color:** 0.0089 Lux @ (F1.6, AGC ON)
 - ◆ 0 Lux with IR ON
- ◆ **Shutter Speed:** 1/25 s to 1/100,000 s
- ◆ **Slow Shutter:** No
- ◆ **Auto-iris:** No
- ◆ **Day & Night:** IR Cut Filter
- ◆ **Digital Noise Reduction:** 3D DNR
- ◆ **WDR:** 120 dB
- ◆ **2-Axis Adjustment:**
 - ◆ **Tilt:** -45° to 90°
 - ◆ **Rotate:** 0° to 355°

Lens (GC-FRIS24)

- ◆ **Focal length:** 4 mm × 2
- ◆ **Aperture:** F1.6
- ◆ **FOV:** 4mm - horizontal FOV 85.7°

Lens (GC-FRIS212)

- ◆ **Focal length:** 12 mm

IR (/White Light /Invisible IR)

- ◆ **IR Range:** Up to 10m

Compression Standard

- ◆ **Video Compression:**
 - ◆ **Main Stream:** H.265/264H.265
 - ◆ **Sub Stream:** H.265/ H.264/MPEG4/MJPEG
 - ◆ **Third Stream:** H.265/H.264
 - ◆ **Fourth Stream:** H.265/H.264
 - ◆ **Fifth Stream:** H.265/H.264
- ◆ **H.264 Type+:** Baseline Profile/Main Profile
- ◆ **H.264+:** Support
- ◆ **H.265 Type:** Main Profile
- ◆ **H.265+:** Support
- ◆ **Video Bit Rate:** 32 Kbps to 16 Mbps
- ◆ **Audio Compression:** G.711/G722.1/G.726/MP2L2/PCM
- ◆ **Audio Bit Rate:** 64Kbps (G.711)/ 16Kbps (G.722.1)/ 16Kbps (G.726)/ 32-192Kbps (MP2L2)

Smart Feature-Set

- ◆ **Exception:** Audio exception detection

Face Recognition

- ◆ **Face Capture:** Capture, automatically select and output optimum face picture.
- ◆ **Face Recognition:** Instantly compare captured face pictures with those in face picture libraries. Recognized faces trigger alarm if alarm action is configured.

Image

- ◆ **Max. Resolution:** 1920 x 1080
- ◆ **Main Stream:** 60Hz - 30fps (1920 × 1080, 1280 × 720)
- ◆ **Sub Stream:** 60Hz - 30fps (704 × 480, 640 × 480, 352 × 240)
- ◆ **Third Stream:** 60Hz: 30fps (1920 × 1080, 1280 × 720, 704 × 480, 640 × 480, 352 × 240)
- ◆ **Fourth Stream:** 60Hz: 30fps (704 × 480, 640 × 480, 352 × 240)
- ◆ **Fifth Stream:** 60Hz: 30fps (704 × 480, 640 × 480, 352 × 240)
- ◆ **Image Enhancement:** BLC, HLC, defog, EIS, lens distortion correction, 3D DNR
- ◆ **Image Setting:** Saturation, brightness, contrast, sharpness, AGC and white balance adjustable by client software or web browser
- ◆ **SVC:** Support
- ◆ **Day/Night Switch:** Auto/Schedule/Triggered by Alarm In
- ◆ **Picture Overlay:** LOGO picture can be overlaid on video with 128 × 128 24bit bmp format

Network

- ◆ **Network Storage:** Support Micro SD/SDHC/SDXC card (128G) local storage, NAS (NFS,SMB/CIFS), ANR
- ◆ **Alarm Trigger:** Motion detection, video tampering alarm, network disconnected, IP address conflict, illegal login, HDD full, HDD error
- ◆ **Protocols:** TCP/IP, HTTP, HTTPS, FTP, DHCP, DNS, DDNS, RTP, RTSP, RTCP, PPPoE, NTP, UPnP, SMTP, SNMP, IGMP, 802.1X, QoS, IPv6, UDP, Bonjour
- ◆ **General Function:** Anti-flicker, five streams, heartbeat, mirror, password protection, privacy mask, watermark, IP address filter
- ◆ **API:** ONVIF (PROFILE S, PROFILE G), ISAPI
- ◆ **Simultaneous Live View:** Up to 20 channels
- ◆ **User/host:** Up to 32 users, 3 levels: Administrator, Operator and User
- ◆ **Client:** iVMS-4200
- ◆ **Web Browser:** IE7+, Firefox 5.0+ , Safari 5.02+



Interface

- ◆ **Audio:** 1 audio input (line in), 1 audio output (line out), mono soundtrack
- ◆ **Communication Interface:** 1 RJ45 10M/100M/1000M self-adaptive Ethernet port, 1 RS-485 interface
- ◆ **Alarm:** 1 input, 1 output (up to 24 VDC 1 A or 110 VAC 500 mA)
- ◆ **On-board Storage:** Built-in micro SD/SDHC/SDXC slot, up to 128 GB

Audio

- ◆ **Environmental Noise Filtering:** Support
- ◆ **Audio Sampling Rate:** Max. 48 kHz

General

- ◆ **Operating Conditions:** -10°C to 40°C (-14°F to 104°F), Humidity 95% or less (non-condensing)
- ◆ **Power Supply:** 36 VDC, two-core terminal block, Power adapter included (220 VAC to 36 VDC)
- ◆ **Power Consumption and Current:** 36 VDC, max. 27 W. 0.75A
- ◆ **Protection Level:** TVS 4000V Lighting Protection, Surge and Voltage Transient Protection
- ◆ **Shell Material:** Metal
- ◆ **Dimensions:** 7.10" x 5.79" x 4.64" (180.4 x 147 x 117.9mm)
- ◆ **Weight:** Approx. 3.31 lb (1500g)



NTCIP

