

# govcomm

## Intelligent Transportation Systems

### 2 Megapixel Hawk Series ITS Camera

#### Technical Specifications

#### Models GC-IMPO-FI2DE and GC-IMPO-FIZDE

#### Key Attributes

- NEMA TS2 Tested and Certified
- ONVIF and NTCIP (Traffic) Protocol
- 20x Focal Length 4.7mm ~ 94mm (Angle of View 3.2° ~ 58.3°)
- 30x Focal Length 4.3mm ~ 129mm (Angle of View 2.11° ~65.5°)
- Electronic Image Stabilization
- Extended Surge (6,000 TVS), Thunder and Static Protection
- Tilt Range -5° ~ 90° (Auto Flip)
- Intrusion & Line Crossing Detection, Object counting
- 1.5" Lowering Device Adaptor Included
- Ingress Protection Rating IP66
- Back-Light and High-Light Compensation
- Infrared Cut Filter
- 24 VAC Power Adapter Included or High PoE Injector
- H.264 | H.264+ | MJPEG | MPEG4
- 7 Input Alarms / 2 Output Alarms Extended Surge
- Supports Logo Integration for OSD



GC-1601Z



GC-1633Z



GC-1622ZJ



GC-1634ZJ



Version 2.5



Product picture and technical specifications are subject to change without notice.  
Sales@GovComm.us | 305-937-2000 | 2650 Biscayne Blvd, Miami, Florida 33137

© GovComm, Inc. 2017.

## GC-IMPO-FI2DE

## GC-IMPO-FIZDE

Camera	
Image Sensor	1/2.8" Progressive Scan CMOS
Effective Pixel	2,230K Pixels
Minimum Illumination	F1.6, AGC On: Color: 0.4 Lux, B/W: 0.03 Lux
White Balance	Auto / Manual / ATW / Indoor / Outdoor / Daylight Lamp / Sodium Lamp
AGC	Auto/Manual
Signal to Noise Ratio	≥ 55dB
Digital Noise Reduction	3D DNR
Light Compensation	High Light Compensation / Back Light Compensation
Wide Dynamic Range	Digital WDR
Shutter Speed	1 ~1/30,000s
Day and Night	IR Cut Filter
Digital Zoom	16X
Privacy Masking	24 privacy masks programmable, optional multiple colors and mosaics
Focus Mode	Auto / Semiautomatic / Manual
Enhancements	Smart Optical Defog
Electronic Image Stabilization	Supports
Logo Upload to OSD (On-Screen Display)	Supports
Lens	
Focal Length	4.7mm ~ 94mm, 20X Optical Zoom
Zoom Speed	Approximately 2.7 seconds to negotiate the entire focal range
Angle of View	3.2° ~ 58.3°
Minimum Working Distance	10cm ~ 20cm
Aperture Range	F1.6 ~ F28
Pan and Tilt	
Smart Tracking	Supports
Pan/Tilt Range	Pan: 360° Endless / Tilt: -15° ~ 90° (Auto Flip)
Pan/Tilt Speed	Pan Manual Speed: 0.1° ~ 300°/s / Tilt Manual Speed: 0.1° ~ 240°/s Pan Preset Speed: 540° /s / Tilt Preset Speed: 400° /s
Proportional Speed	Rotation speed can be adjusted automatically according to zoom multiples
Number of Presets/Position Accuracy	300 / Preset position return accuracy +/- 0.1°
Patrol	8 Patrols, up to 32 presets per patrol
Pattern	4 Patterns, with the recording time not less than 10 minutes per pattern
Power-Off Memory	Supports
Park Action	Preset / Patrol / Pattern / Pan scan / Tilt Scan / Random scan / Frame scan / Panorama Scan
PTZ Position Display	On / Off
Preset Freezing	Supports
Scheduled Task	Preset / Patrol / Pattern / Auto Scan / Tilt Scan / Random Scan / Frame Scan / Panoramic Scan / Dome Reboot / Dome Adjust / Aux Output



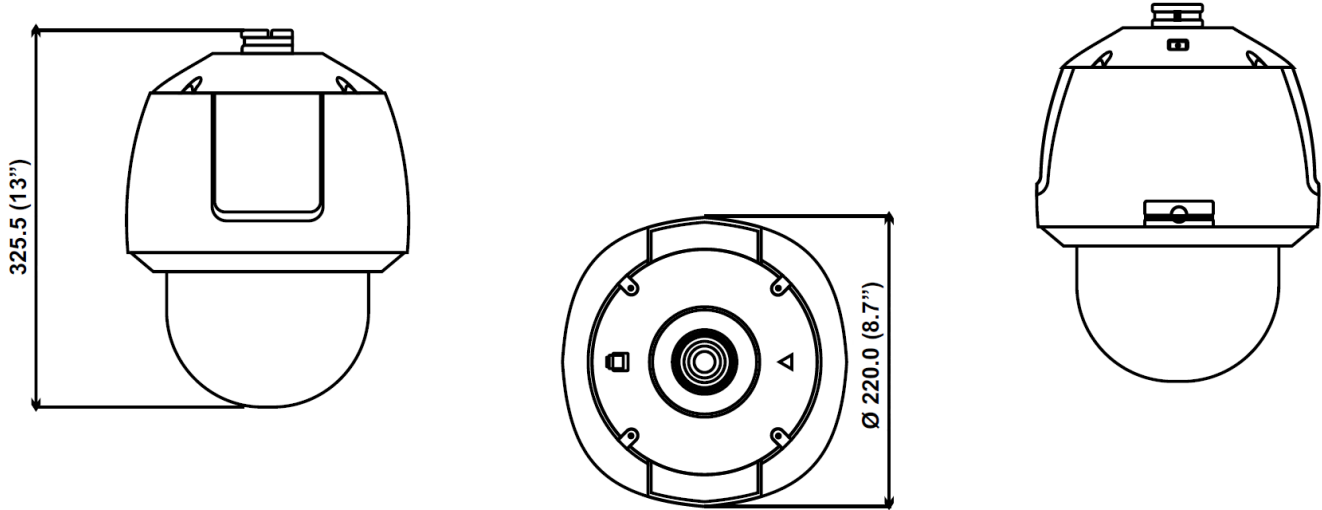
### GC-IMPO-FI2DE

### GC-IMPO-FIZDE

Alarm	
<b>Alarm Input / Output</b>	7 Input / 2 Output, alarm response configurable
<b>Alarm Trigger</b>	Face, Intrusion, Line Crossing, Region, Audio, Motion, Tampering, Network, Disconnect, IP Address Conflict, Storage
<b>Alarm Action</b>	Preset, Patrol, Pattern, SD/SDHC Card Recording, Relay Output, Notification on Client
Input/Output	
<b>Video Output</b>	1.0V [p-p] / 75Ω, PAL / NTSC Composite, BNC, Ethernet
<b>Audio Input / Output</b>	Audio input (LINE input), 2 ~ 2.4V [p-p]; Output Impedance: 1KΩ, ±10% / Line Level, Impedance 600Ω
<b>Smart Detection</b>	Intrusion, Line Crossing, Object Left / Removal, Area Entering / Leaving, Scene Change, Audio Surge, Audio Loss, Defocus, Face and Object Counting
Network	
<b>Ethernet</b>	10Base-T / 100Base-TX, RJ45 connector
<b>Maximum Image Resolution</b>	1920x1080
<b>Frame Rate (Main Stream)</b>	30 fps (1920x1080; 1280x960; 1280x720)
<b>Image Compression</b>	H.264/H.264+/MJPEG/MPEG4, H.264 encoding with Baseline/Main/High Profile
<b>Region of Interest (ROI) Encoding</b>	Support 24 areas with Adjustable Levels
<b>Audio Compression</b>	G.711ulaw / G.711alaw / G.726 / MP2L2 / G.722
<b>Protocols</b>	IPv4/IPv6, HTTP, HTTPs, 802.1x, Qos, FTP, SMTP, UPnP, SNMP, DNS, DDNS, NTP, RTSP, RTP, TCP, UDP, IGMP, ICMP, DHCP, PPPoE, NTCIP
<b>Simultaneous Live View</b>	Up to 20
<b>Streams</b>	Triple Stream
<b>Mini SD Memory Card</b>	Built-in SD/SDHC Slot, up to 64GB, Support Manual / Alarm / Edge Recording
<b>User/Host Level</b>	Up to 32 Users, 3 Levels: Administrator, Operator & User
<b>Security Measures</b>	User Authentication (ID and PW), Host authentication (MAC address), IP address filtering
Integration	
<b>Application Programming</b>	Open-ended API, Support Onvif, PSIA and CGI
<b>Web Browser</b>	IE7+, Chrome8+ (w/ IE Tab), Firefox 5.0+, Safari 5.02+, Supports Multi-Language
<b>Camera Control</b>	Pan/Tilt, Zoom, Focus, Click Centering, Zoom by mouse dragging, Iris, Preset calling and programming, auto
<b>Date &amp; Time Display</b>	Time   Week   Date   6 format choices
General	
<b>RS-485 Protocols</b>	Pelco-P, Pelco-D, Self-Adaptive
<b>Power</b>	24VAC: Max. 60W High PoE (E)
<b>Working Temperature / Humidity</b>	-40°C ~ 75°C (-40°F ~ 167°F) / 95% or less
<b>Certification</b>	FCC, CE, UL, RoHS, IEC/EC 61000, IEC/EN 55024, IEC/EN 60950-1
<b>Protection Level</b>	IP66, IK10 - TVS 6,000V Lighting Protection, Surge Protection and Voltage Transient Protection
<b>Dimensions</b>	Ø220.0mm x 325.5mm (Ø 8.7" x 13")
<b>Weight (approx.)</b>	13.2lbs (6kg)



<b>Mounting Options</b>	1.5" NPT device lowering adapter included with camera system
	Long Arm Wall Mount GC-1602ZJ
	Corner Mount GC-1602ZJ - Corner
	Pole Mount GC-1602ZJ - Pole
	Power Box Mount GC-1602ZJ - Box



Camera Dimensions

### Fiber Optical Interface Option

GovComm's Fiber Optical Interface is a 10Base-F / 100Base-FX, single mode fiber optical interface which offers a transmission distance of up to 20 Kilometers (12.43 Miles). When special ordering GovComm ITS cameras with the fiber optical interface option, the ITS camera must be powered locally (24 VAC transformer is provided) and Ethernet (including PoE) is not supported.

### Standard Interface (Ethernet)

### Optional Interface (Fiber)

Input / Output (Video Output)	
1.0V [p-p] / 75Ω, Pal / NTSC Composite, BNC, Ethernet	1.0V [p-p] / 75Ω, Pal / NTSC Composite, BNC, Fiber Optical Interface
Network (Interface)	
Data Mode: 10Base-T / 100Base-TX	Data Mode: 10Base-f / 100Base-FX
Physical Interface: RJ 45 Connector	Physical Interface: FC Connector
	Fiber Wavelength: TX 1310 / RX 1550nm
	Fiber Type: Single Fiber / Single Mode
Transmission Distance: Max. 100 meters (328 feet)	Transmission Distance: 20Km (12.43 Miles)
General (Power)	
24VAC, Max. 60W or High PoE (Ethernet)	24VAC, Max. 60W

