

govcomm

Intelligent Transportation Systems

2 Megapixel Eagle Series ITS Camera

Technical Specifications

Models GC-ICPO-FI2DE and GC-ICPO-FIZDE

Key Attributes

- NEMA TS2 Tested and Certified
- ONVIF and NTCIP (Traffic) Protocol
- 20x Focal Length 4.7mm ~ 94mm (Angle of View 3.2° ~ 58.3°)
- 30x Focal Length 4.3mm ~ 129mm (Angle of View 2.11° ~ 65.5°)
- Electronic Image Stabilization
- Extended Surge (6,000 TVS), Thunder and Static Protection
- Tilt Range -2° ~ 90° (Auto Flip)
- Intrusion & Line Crossing Detection, Object counting
- 1.5" Lowering Device Adaptor Included
- Ingress Protection Rating IP66
- Back-Light and High-Light Compensation
- 150 Meter Smart Infrared Light Field
- Infrared Cut Filter
- 24 VAC Power Adapter Included or High PoE Injector
- H.264 | H.264+ | MJPEG | MPEG4
- 7 Input Alarms / 2 Output Alarms Extended Surge
- Supports Logo Upload to OSD



GC-1601Z



GC-1633Z



GC-1622Z



GC-1634Z



Version 2.5



Product picture and technical specifications are subject to change without notice.
Sales@GovComm.us | 305-937-2000 | 2650 Biscayne Blvd, Miami, Florida 33137

© GovComm, Inc. 2017.

GC-ICPO-FI2DE

GC-ICPO-FIZDE

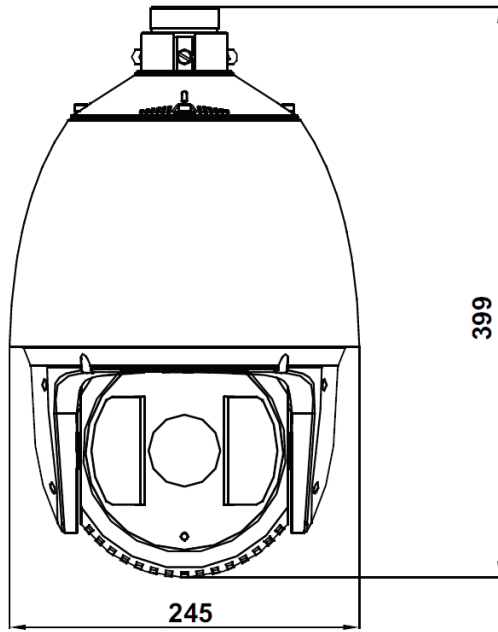
Camera	
Image Sensor	1/2.8" Progressive Scan CMOS
Effective Pixel	2.1M Pixels
Minimum Illumination	F1.6, AGC On: Color: 0.5 Lux, B/W: 0.05 Lux, 0 Lux with Infrared
White Balance	Auto / Manual / ATW / Indoor / Outdoor / Daylight Lamp / Sodium Lamp
AGC	Auto/Manual
Signal to Noise Ratio	≥ 55dB
Digital Noise Reduction	3D DNR
Light Compensation	High Light Compensation / Back Light Compensation
Wide Dynamic Range	Digital WDR
Shutter Speed	1 ~ 1/30,000s
Day and Night	Day / Night / 150m Anti-Reflection Infrared Light Field
Digital Zoom	16X
Privacy Masking	24 privacy masks programmable, optional multiple colors and mosaics
Focus Mode	Auto / Semiautomatic / Manual
Enhancements	Smart Optical Defog
Electronic Image Stabilization	Supports
Logo Upload to OSD (On-Screen Display)	Supports
Lens	
Focal Length	4.7mm ~ 94mm, 20X Optical Zoom
Zoom Speed	Approximately 2.7s
Angle of View	3.2° ~ 58.3°
Minimum Working Distance	10cm ~ 20cm
Aperture Range	F1.6 ~ F28
Pan and Tilt	
Smart Tracking	Supports
Pan/Tilt Range	Pan: 360° Endless / Tilt: -2° ~ 90° (Auto Flip)
Pan/Tilt Speed	Pan Manual Speed: 0.1° ~ 300°/s / Tilt Manual Speed: 0.1° ~ 240°/s Pan Preset Speed: 540°/s / Tilt Preset Speed: 400°/s
Proportional Speed	Rotation speed can be adjusted automatically according to zoom multiples
Number of Presets/Position Accuracy	300 / Preset position return accuracy +/- 0.1°
Patrol	8 Patrols, up to 32 presets per patrol
Pattern	4 Patterns, with the recording time not less than 10 minutes per pattern
Power-Off Memory	Supports
Park Action	Preset / Patrol / Pattern / Pan scan / Tilt Scan / Random scan / Frame scan / Panorama Scan
PTZ Position Display	On / Off
Preset Freezing	Supports
Scheduled Task	Preset / Patrol / Pattern / Auto Scan / Tilt Scan / Random Scan / Frame Scan / Panoramic Scan / Dome Reboot / Dome Adjust / Aux Output



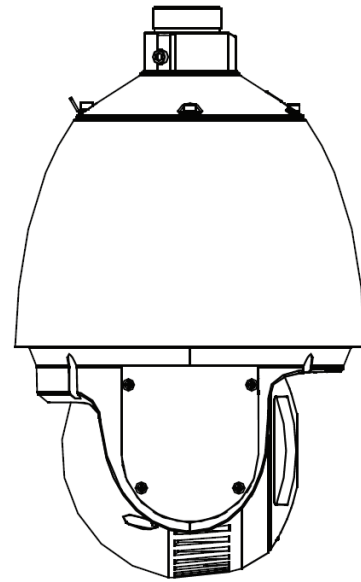
	GC-ICPO-FI2DE	GC-ICPO-FIZDE
Alarm		
Alarm Input / Output	7 Input / 2 Output	
Alarm Trigger	Face, Intrusion, Line Crossing, Region, Audio, Motion, Tampering, Network, Disconnect, IP Address Conflict, Storage	
Alarm Action	Preset, Patrol, Pattern, SD/SDHC Card Recording, Relay Output, Notification on Client	
Input/Output		
Video Output	1.0V [p-p] / 75Ω, PAL / NTSC Composite, BNC, Ethernet	
Audio Input / Output	Audio input (LINE input), 2 ~ 2.4V [p-p]; Output Impedance: 1KΩ, ±10% / Line Level, Impedance 600Ω	
Smart Detection	Intrusion, Line Crossing, Object Left / Removal, Area Entering / Leaving, Scene Change, Audio Surge, Audio Loss, Defocus, Face and Object Counting	
Network		
Ethernet	10Base-T / 100Base-TX, RJ45 connector	
Maximum Image Resolution	1920x1080	
Frame Rate (Main Stream)	30 fps (1920x1080; 1280x960; 1280x720)	
Image Compression	H.264/H.264+/MJPEG/MPEG4, H.264 encoding with Baseline/Main/High Profile	
Region of Interest (ROI) Encoding	Supports 24 areas with Adjustable Levels	
Audio Compression	G.711ulaw / G.711alaw / G.726 / MP2L2 / G.722	
Protocols	IPv4/IPv6, HTTP, HTTPS, 802.1x, Qos, FTP, SMTP, UPnP, SNMP, DNS, DDNS, NTP, RTSP, RTP, TCP, UDP, IGMP, ICMP, DHCP, PPPoE, NTCIP	
Simultaneous Live View	Up to 20	
Streams	Triple Stream	
Mini SD Memory Card	Built-in SD / SDHC Slot, up to 64GB, Support Manual / Alarm / Edge Recording	
User/Host Level	Up to 32 Users, 3 Levels: Administrator, Operator & User	
Security Measures	User Authentication (ID and PW), Host authentication (MAC address), IP address filtering	
Integration		
Application Programming	Open-ended API, Support Onvif, PSIA and CGI	
Web Browser	IE7+, Chrome8+ (w/ IE Tab), Firefox 5.0+, Safari 5.02+, Supports Multi-Language	
Camera Control	Pan/Tilt, Zoom, Focus, Click Centering, Zoom by mouse dragging, Iris, Preset calling and programming, auto	
Date & Time Display	Time Week Date 6 format choices	
Smart IR	Supports	
IR Intensity / Distance	Automatically adjusted, depending on the zoom ratio / Up to 150m	
General		
RS-485 Protocols	Pelco-P, Pelco-D, Self-Adaptive	
Power	24VAC: Max. 60W High PoE (E)	
Working Temperature / Humidity	-40°F ~ 167°F (-40°C ~ 75°C) / 95% or less	
Certification	FCC, CE, UL, RoHS, IEC/EC 61000, IEC/EN 55024, IEC/EN 60950-1	
Protection Level	IP66, IK10 - TVS 6,000V Lighting Protection, Surge Protection and Voltage Transient Protection	
Dimensions	Ø245.6mm x 399.0mm (Ø9.65"x15.71")	



Weight (approx.)	12.13lbs (5.5kg)
Mounting Options	1.5" NPT device lowering adapter included with camera system Long Arm Wall Mount GC-1602ZJ Corner Mount GC-1602ZJ - Corner Pole Mount GC-1602ZJ - Pole Power Box Mount GC-1602ZJ - Box



Camera Dimensions



Unit: mm

Fiber Optical Interface Option

GovComm's Fiber Optical Interface is a 10Bases-F / 100Base-FX, single mode fiber optics which offers a transmission distance (conservatively) of 20 Kilometers (12.43 Miles). In selecting the special order Fiber Optical Interface option, the ethernet (including PoE) will not be supported.

Standard Interface (Ethernet)

Optional Interface (Fiber)

Input / Output (Video Output)	
1.0V [p-p] / 75Ω, Pal / NTSC Composite, BNC, Ethernet	1.0V [p-p] / 75Ω, Pal / NTSC Composite, BNC, Fiber Optical Interface
Network (Interface)	
Data Mode: 10Base-T / 100Base-TX	Data Mode: 10Base-f / 100Base-FX
Physical Interface: RJ 45 Connector	Physical Interface: FC Connector
	Fiber Wavelength: TX 1310 / RX 1550nm
	Fiber Type: Single Fiber / Single Mode
Transmission Distance: Max. 100 meters (328 feet)	Transmission Distance: 20Km (12.43 Miles)
General (Power)	
24VAC, Max. 60W or High PoE (Ethernet)	24VAC, Max. 60W

