

# Embedded Wireless Sensor



## Model: GC-UGHS Series

### Overview

GovComm embedded sensors connect wirelessly to repeaters (10 – 15 sensors per repeater) then to a gateway (1 gateway per 100 sensors) for connection to the IP network. API / SDK is available for specific applications.

GovComm sensors are configured specifically for trucks. Typical car sensors are rated to 20” but trucks are often higher off the ground and require a greater vertical range.

## Key Features

- Provides a simple, cost-effective and reliable detection system.
- With a configuration for greater vertical range, it is better suited for truck detection.
- Designed to be set into the ground, it allows for easy road services, such as road sweepers or snow-plowing.
- Low cost in maintenance due to its design and battery life span of 10 years.
- Minimal road work for installation, none for battery exchange or maintenance.
- Relies on a self-configuring, multi-hop and self healing networking protocol.
- Automatic reports on battery status and failures.
- Automatic wireless reconfiguration and software updates.

## Specifications

## GC-UGHS Series

### Sensor Performance

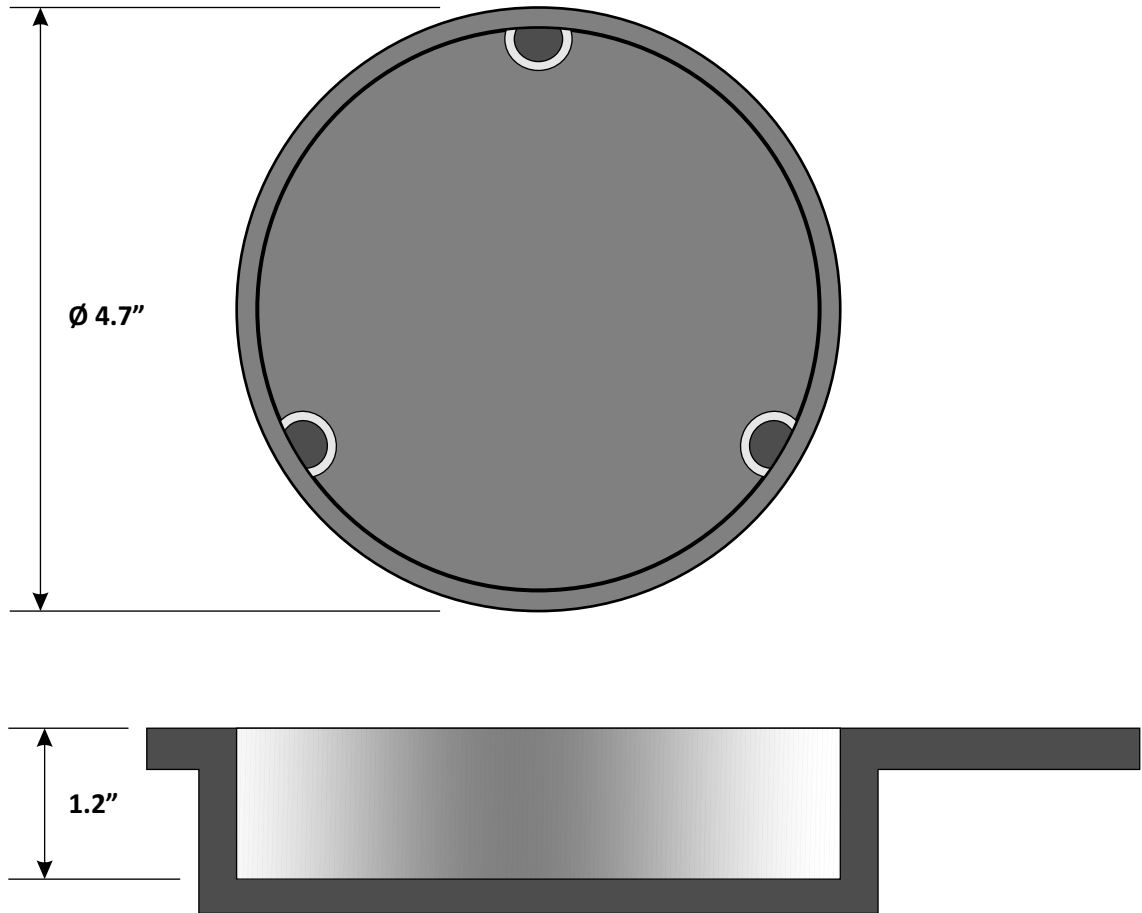
Max. Range to Repeater	100 meters (330 feet)
Max. Range to Gateway	100 meters (330 feet)
Occupancy Detection	98% Accuracy
Available Radio Frequencies	868MHz, 915MHz, 920MHz

### Environmental

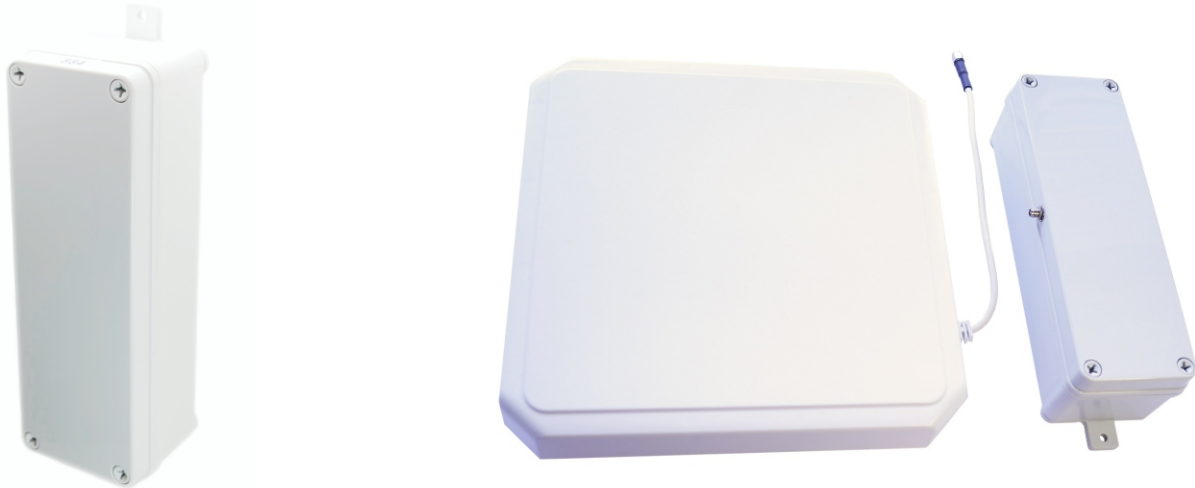
Operating Temperature	-40°C ~ 85°C (-40°F ~ 185°F)
IP	IP 68
Weather Resistance	Harsh Conditions, Water, Salt and Snow
Mechanical Constraints Resistance	Street and High Pressure Cleaners, Heavy Good Vehicle Transit, Soft Blade Snow Plow

### General

Power Supply	lithium Battery (10 Year Life Span)
Weight	320 g
Dimensions	Ø 120mm x 30mm (Ø 4.7" x 1.2")



# Mounted Wireless Repeaters



## Model: GC-Repeater & S-Repeater

### Overview

GovComm Repeaters connect wirelessly to the sensors and gateways (10 – 15 sensors per repeater) then to a gateway (1 gateway per 100 sensors) for connection to the IP network. API / SDK is available for specific applications.

GovComm Repeaters can reach distance of 300 feet and the S-Repeaters can reach up to 1312 feet. They are typically mounted onto poles, for a clear line of sight to the sensors and gateways, they are extremely flexible and have a batteries lasting up to 10 years (easily replaced when needed).

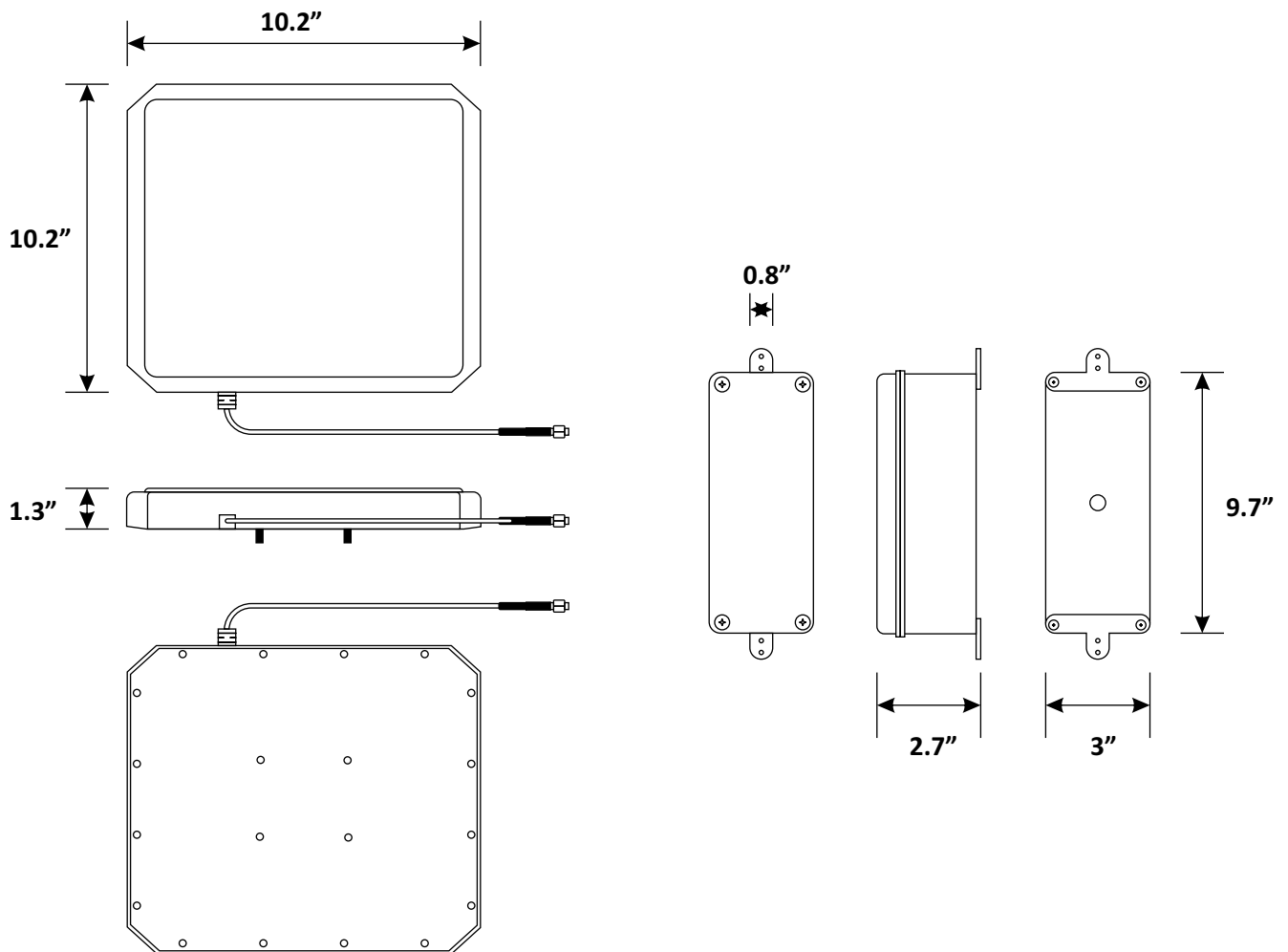
## Key Features

- Provides a simple, cost-effective and reliable detection system.
- With a design to reach greater distances than average repeaters, and easily mounted onto poles or high walls for a clear line of sight.
- Low cost in maintenance due to its design and battery life span of 10 years.
- Minimal road work for installation, none for battery exchange or maintenance.
- Relies on a self-configuring, multi-hop and self healing networking protocol.
- Web Interface for easy setup and maintenance.
- Automatic reports on battery status and failures.
- Automatic wireless reconfiguration and software updates.

## Specifications

## GC-Repeater and S-Repeater

Repeater Performance	Repeater	S-Repeater
Max. Range to Sensors	100 meters (330 feet)	1000 meters (3280 feet)
Max. Range to Gateway	100 meters (330 feet)	400 meters (1312 feet)
Available Radio Frequencies	868MHz, 915MHz, 920MHz	
<b>Environmental</b>		
Operating Temperature	-40°C ~ 85°C (-40°F ~ 185°F)	
IP	IP 68	
Weather Resistance	Harsh Conditions, Water, Snow and UV	
<b>General</b>		
Power Supply	lithium Battery (10 Year Life Span)	
Weight	670 g	1300 g
Dimension	247 x 77 x 70mm (9.7 x 3 x 2.7inch)	247 x 77 x 70mm (9.7 x 3 x 2.7inch)
Antenna Dimensions	NIL	259 x 259 x 33mm (10.2 x 10.2 x 1.3 inch)



# Wireless Gateway



## Model: GC-Gateway

### Overview

GovComm Gateway acts as the local collection point of our vehicle detection systems, as well as the main interface to third-party systems. API / SDK is available for specific applications.

GovComm Gateways support 868MHZ, 915MHZ, and 920MHZ radio frequencies and need to be placed in a technical cabinet. Easy to install, it features an Ethernet, TCP/IP based REST interface, with a web interface for quick setup, software update and maintenance.

## Key Features

- Provides a simple, cost-effective data collection point for detection system.
- Relies on a self-configuring, multi-hop and self healing networking protocol.
- Low cost in maintenance.
- Features Ethernet, TCP/IP based REST interface.
- AC adapter included, 5V DC, 1A (Power Output), 1---240V AC, 50-60Hz, 0.3A (Power Input).
- Web Interface for easy setup and maintenance.
- Easy and flexible installation (technical cabinet required).
- Automatic software updates.

## Specifications

## GC-Gateway

Repeater Performance	Repeater
Max. Range to Sensors	100 meters (330 feet)
Max. Range to Repeater	100 meters (330 feet)
Available Radio Frequencies	868MHz, 915MHz, 920MHz
Environmental	
Operating Temperature	-20°C ~ 65°C (-4°F ~ 149°F)
Humidity Range	< 90% non-condensing
Weather Resistance	Indoors only
General	
Power Supply	(Output) 5V DC, 1A : (Input) 100-240V AC, 50-60Hz, 0.3A
Weight	215 g
Dimension	91 x 78 x 28mm (3.6 x 3 x 1.1inch)
Antenna Dimensions	115 x 256 x 16mm (4.5 x 10 x 0.6inch)

